

**M12 fem. recept. D-cod. RM / RJ45 male 0°**

TPE 22AWG SF/UTP CAT5e gn UL/CSA, ITC/PLTC 3m

USA

Further cable lengths on request.

Ethernet CAT5

Flange female straight – male straight

M12 – RJ45, 4-pole

D-coded

shielded

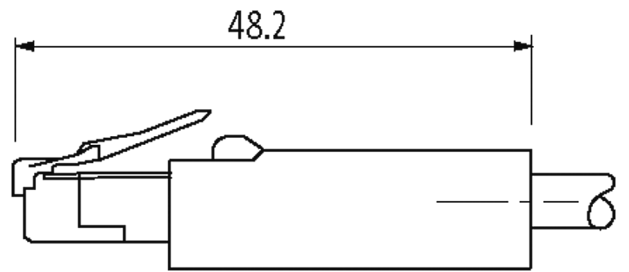
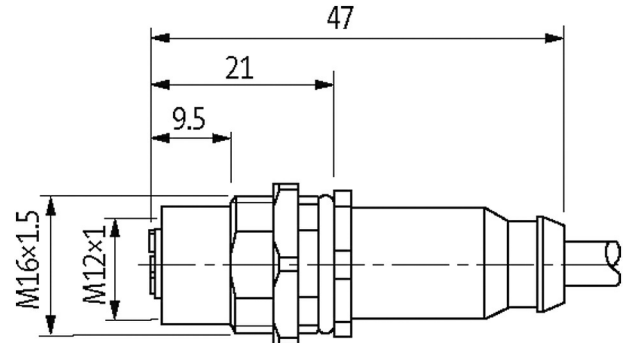
Rear mounting

Protection cap

Cable is approved for 600 V

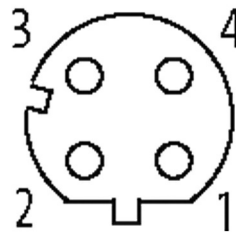
[Link to Product](#)

Illustration



Female

Male



Product may differ from Image

**Approvals**



\* only for products with UL/CSA approved cable

**More Info**



EtherNet/IP

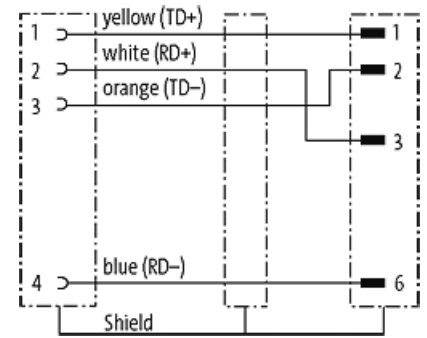
**Form**

Form 44851

**General data**

Standards	DIN EN 61076-2-101 (M12)
Mounting method	inserted, tightened
Pollution Degree	3
Temperature range	-25...+85 °C, depending on cable quality
<b>Cables</b>	
Cable number	S7V
No./diameter of wires	2× 2× 0.34 mm <sup>2</sup>
Wire isolation	HDPE (wh, ye, bl, or)
C-track properties	1 Mio.
Jacket Color	green
Material (jacket)	TPE (UL)
Outer Ø	7.9 mm ±5%
Bend radius (moving)	10× outer Ø
Temperature range (fixed)	-40...+80 °C
Temperature range (mobile)	-20...+80 °C
Cable identification	S7V
Cable weight [g/m]	74,80
Material (wire)	Cu wire, tin plated
Construction (core)	19× 0.16 mm (multi-strand wire class 5)
Diameter (core)	2× 2× 0.34 mm <sup>2</sup>
Material (wire isolation)	HDPE
Wire-Ø incl. isolation	1.42 mm ±5%
Shield	yes
Material (jacket)	TPE
Outer-Ø (jacket)	7.9 mm ±5%
Color (jacket)	green
Bend radius (fixed)	5× outer Ø
Torsion stress	3 Mio.
<b>Technical Data</b>	
Operating voltage	max. 60 V DC
Operating voltage (only UL listed)	30 V DC
Rated surge voltage	1.0 kV
Operating current per contact	max. 1.5 A (20 °C)
No. of poles	4
Material group	IEC 60664-1, category I
Coding	M12, D-coded
Transfer parameters	CAT5, Class D (ISO/IEC 11801:2002), (EN 50173-1)
Transfer rate	up to 100 Mbit/s full duplex
LED display	no
Locking of ports	Hexagonal nut (M16×1.5 mm)
Compression gland	M16 (SW19)
Protection	IP67 (M12) - IP20 (RJ45)
Protection NEMA	3, 4, 6P (UL 50E) (M12)
Locking material	Brass, nickel plated
Material	PUR
suitable for corrugated tube (internal Ø)	without
<b>Commercial data</b>	
country of origin	DE

customs tariff number	85444210
EAN	4048879683098
eClass	27279220
Packaging unit	1

**Sketch**

Product may differ from Image